

**Please read this manual carefully
before use!**

Owner's Manual



Multifunction machine

KS 7HP-MFM 60

KS 7HP-MFM 80

KS 7HP-MFM 80E

Attachments:

Dust box

KS MFM-DB 60

KS MFM-DB 80

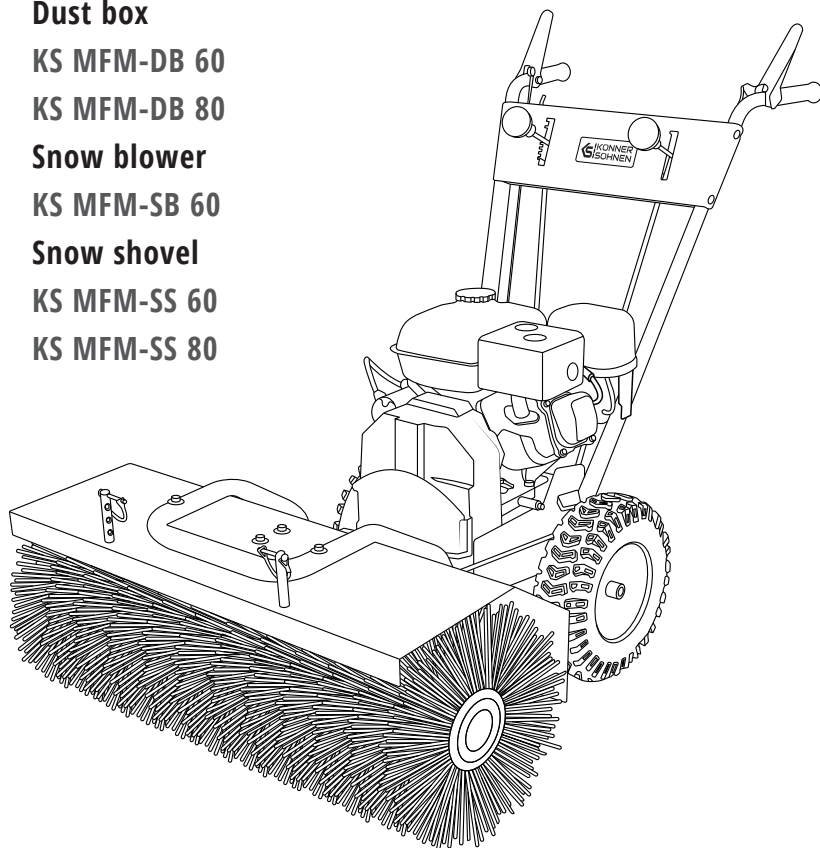
Snow blower

KS MFM-SB 60

Snow shovel

KS MFM-SS 60

KS MFM-SS 80





Thank you for opting for **Könnner & Söhnen®** products. This manual contains a brief description of safety, setup and use. More information can be found on the official importer's website in the support section: konner-sohnen.com/manuals

You can also go to the support section and download the manual by scanning the QR code or on the website of the official importer of **Könnner & Söhnen®** at www.konner-sohnen.com



Please, read this manual carefully before use!

The manufacturer of **Könnner & Söhnen®** products reserves the right to make changes that may not be reflected in this manual, namely:

- The manufacturer reserves the right to make changes in the product design, configuration and construction.
- The images and drawings in this manual are for reference only and may differ from the actual components and inscriptions on the products.

Contact information that you are free to use in case of any problems can be found at the end of this manual. All information in this manual is correct to the best of our knowledge and belief at the date of its publication. The current list of service centers can be found on the official importer's website at www.konner-sohnen.com

SAFETY PRECAUTIONS

1

Before operating the multifunction machine, please carefully read the owner's manual. Keep the device away from unauthorized persons and children. Do not use the device in close proximity to the working area of adults, children and animals - the user of the machine is solely responsible for personal injury and property damage. The **Könnner & Söhnen®** multifunction machine complies with the current European safety standards. Never attempt to make any changes to the design of the device.

OBSERVE THE FOLLOWING REQUIREMENTS WHEN OPERATING THE MACHINE:

1. Before getting started, please carefully read the owner's manual. Keep the owner's manual in a safe place for future reference, follow the recommendations contained therein in order to avoid personal injury and property damage.
2. Familiarize yourself with the multifunction machine controls and functions. In case of an emergency, the operator must know how to stop the working parts of the machine and its engine.
3. The operator of the device must be in good physical and mental health and be quick in decisions, if necessary. Do not operate the machine under the influence of alcohol, drugs or medications that can slow down the reaction.
4. The device should be turned on in accordance with the instructions in the owner's manual.
5. Wear special clothing, sturdy shoes, hand protection gloves and safety goggles.
6. Operate the machine only if the motor block is fully functional.
7. Check the area where the motor block will be used. Remove all foreign objects that can get under the moving part of the attachment and be thrown away from the motor unit.
8. Do not disengage the drive or shift gears while on steep slopes.
9. To prevent the motor block from tipping over, try to avoid turns on steep ascents and descents.
10. When descending, never disengage the clutch and do not put the motor block in neutral.
11. Do not use the motor unit as a transport vehicle for transporting people or objects.

CAUTION!

The engine and exhaust pipe must be kept clean to avoid potential fire. Thoroughly check them for foliage, grass, and oil or fuel leaks.



WARNING - DANGER!

Warning! Stop the engine before refueling, transportation and if the device should be left unattended.

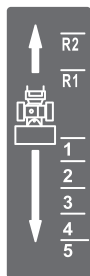


WARNING - DANGER!

Fuel pollutes soil and groundwater. Avoid gasoline leaking out of the fuel tank!

SAFETY SYMBOLS

2



a)



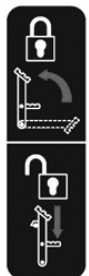
b)



c)



d)



e)

- a). Speed control
- b). Adjustable angle of turning
- c). Press the lever, the machine will move forward or backward according to the set gear.
- d). Press the lever for the brush to start rotating
- e). Press the pedal up to lock the attachment (sweeper or snow blower), and then press the pedal down to unlock the attachment (sweeper or snow blower).

SPECIFICATIONS

3

Multifunction machine model	KS 7HP-MFM 60	KS 7HP-MFM 80	KS 7HP-MFM 80E
Engine model	H200	H200	H200
Engine power, HP	5,5	5,5	5,5
Engine volume, cm ³	196	196	196
Engine type	Gasoline powered four-stroke		
Number of gears	5 forward, 2 reverse		
Fuel tank volume, L	2,5	2,5	2,5
Fuel consumption, L/h	1,2–1,8	1,2–1,8	1,2–1,8
Crankcase volume, L	0,6	0,6	0,6
Gearbox capacity, g	160	160	160
Engine start	manual	manual	electric / 230 V
Wheel size	13×4,1-6		
Noise level, Lpa (7m)/Lwa, dB	104 dB(A)	104 dB(A)	104 dB(A)
Net dimensions (L×W×H), mm	1400×600×1100	1400×800×1100	1400×800×1100
Gross dimensions (L×W×H), mm	980×650×630	980×850×630	980×850×630
Net weight, kg	72	74	77

Multifunction machine model	KS 7HP-MFM 60	KS 7HP-MFM 80E
SWEEPER	KS 7HP-SW60	KS 7HP-SW60
Processing width	600	800
Brush diameter	345	345
Adjustable angle of turning	15°	15°
Brush speed, RPM	255	255
Net dimensions (L×W×H), mm	600×550×480	800×550×480
Gross dimensions (L×W×H), mm	620×570×420	820×570×420
Net weight, kg	32	38
Gross weight, kg	35	43
DUST BOX ATTACHMENT	KS MFM-DB 60	KS MFM-DB 80
Width	600	800
Net dimensions (L×W×H), mm	610×290×380	810×290×380
Gross dimensions (L×W×H), mm	630×390×335	830×390×335
Net weight, kg	6,6	8,5
Gross weight, kg	8,5	10
SNOW SHOVEL ATTACHMENT	KS MFM-SS 60	KS MFM-SS 80
Processing width	600	800
Net dimensions (L×W×H), mm	600×100×445	800×100×445
Gross dimensions (L×W×H), mm	620×465×110	820×465×110
Net weight, kg	6,6	8,8
Gross weight, kg	7,7	9,8
SNOW BLOWER ATTACHMENT	KS MFM-SB 60	The optimal operating conditions are ambient temperature of 17-25 °C, barometric pressure of 0.1 MPa (760 mm Hg), relative humidity of 50-60%, and altitude above sea level ≤300 m. Under these environmental conditions, the engine can provide maximum performance in terms of the declared specifications. In the event of deviations from these environmental indicators (altitude above sea level, temperature, pressure), the device performance may vary.
Chute turning	190°	
Snow throwing range, m	0–10	
Maximum processing width, cm	55,8	
Maximum thickness of processing layer, cm	40	
Net dimensions (L×W×H), mm	570×440×795	
Gross dimensions (L×W×H), mm	600×470×470	
Net weight, kg	21	
Gross weight, kg	23	

1. Damper
2. Fuel tank
3. Control handle
4. Control panel
5. Engine
6. Wheel
7. Chassis
8. Casters
9. Attachment fasteners
10. Brush
11. Brush protector

Fig. 1

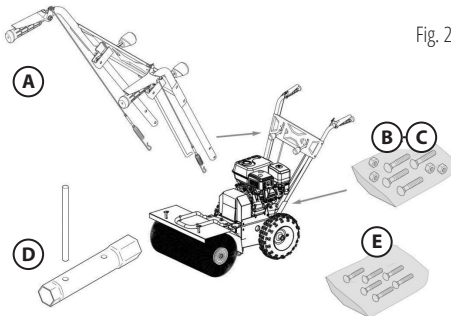
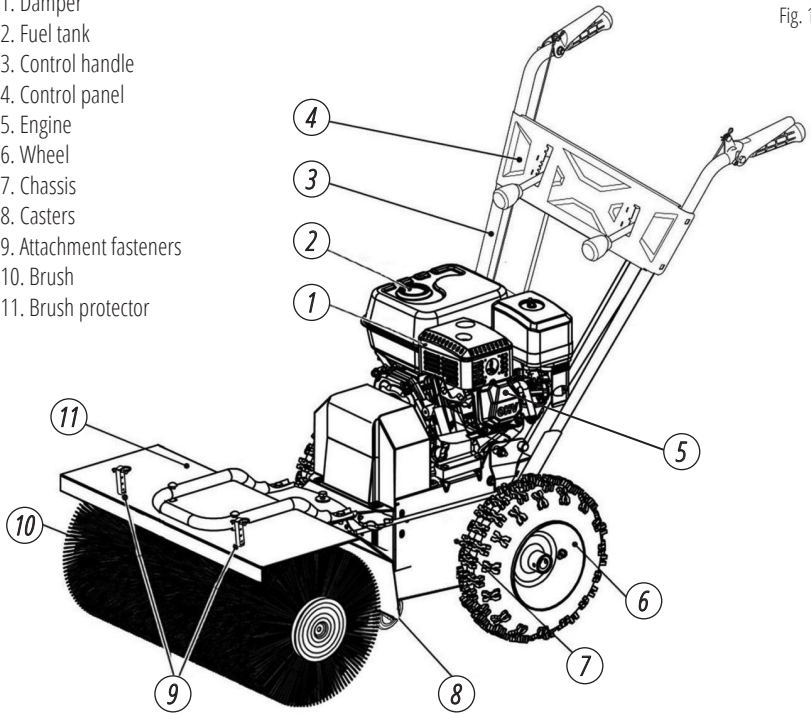


Fig. 2

- | | |
|--|-------|
| A – Handle with pre-installed rods and wires | 1 pcs |
| B – Handle fixing screws | 4 pcs |
| C – Handle fixing bolts | 4 pcs |
| D – Spark plug wrench | 1 pcs |
| E – Nuts and bolts | 1 pcs |

- Open the package carefully so as not to lose small parts.
- Check the documentation in the carton, including this owner's manual.
- Remove the disassembled parts from the carton.
- Take the machine out of the carton.
- Dispose of the carton and package in accordance with local regulations.



PLEASE NOTE!



You may need an assistant during assembly.

MOUNTING THE FRONT AND BRUSH CONTROL CABLES

Attach the cable eyelet to the corresponding hole (fig. 3).

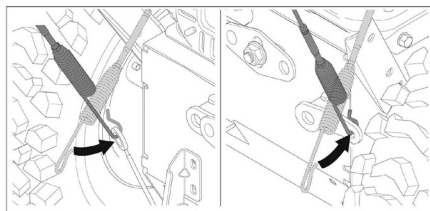


Fig. 3



PLEASE NOTE!



The cables are supplied pre-wired to the control panel.

MOUNTING THE CONTROL HANDLE

The handle is supplied pre-attached to the control panel. Mounting screws for the control handle, fixing screws for the gear shift mechanism, fastening nuts and bolts for the brush direction lever are supplied in a separate package contained in the carton with the machine.

To install the handle, proceed as follows:

1. Bring the two tubes at the ends of the handle (A) to the support (B).
2. Insert the screws into the holes and secure them with nuts.

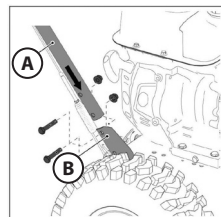


Fig. 4

MOUNTING THE GEAR SHIFT MECHANISM

1. Remove the pre-assembled pivot joint (A) from the gearshift washer (B) and nut (C).
2. Insert the pivot joint (A) of the gear shift mechanism into the hole in the lever (D), connecting it to the transmission.
3. Tighten the washer (B) and nut (C) securely.

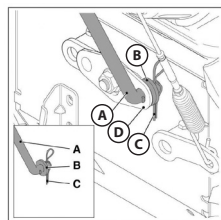


Fig. 5

MOUNTING BRUSH DIRECTION LEVER

1. Remove the pre-assembled pivot joint (A) from the nut of the brush direction lever (B).
2. Insert the pivot joint (A) of the brush direction lever into the hole in the lever (C), connecting it to the drive.
3. Tighten the nut (B).

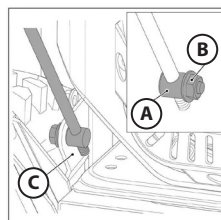


Fig. 6



PLEASE NOTE!



The engine is supplied without oil and gasoline.

FILLING OIL

Place the engine in a horizontal position. Remove the oil filler plug and add oil to the very edge of the oil filler (fig. 7).

FUEL

Only unleaded gasoline is recommended for the generator. The engine must be horizontal when refueling. Never mix old fuel with fresh one. Never fill fuel with the engine running. Do not fill fuel until the engine has cooled down completely.

Never fill gasoline mixed with oil.

STARTING THE ENGINE

1. Open the fuel valve (fig. 8).
2. Pump the fuel system over several times, depending on the season (fig. 9).
3. Close the air choke (fig. 10).
4. Set the throttle valve to full speed (fig. 11).
5. Pull the starter handle slightly several times until cord resistance is felt.
- 6.1. For manual start, slowly pull the starter handle until cord resistance is felt, then pull the cord out with a sharp movement to its full length, holding the engine with your left hand.
- 6.2. To start model KS 7HP-MFM 80E with an electric start, plug into the mains socket and press the electric start button (fig. 12). After the machine starts, disconnect the cable from the mains.
7. After the engine starts, open the air choke.
8. The engine will start at maximum speed. Use the engine speed control to decrease the speed.

Fig. 7

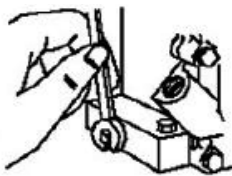


Fig. 8



Fig. 9

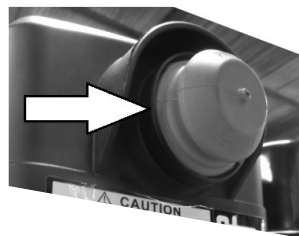


Fig. 10



Fig. 11

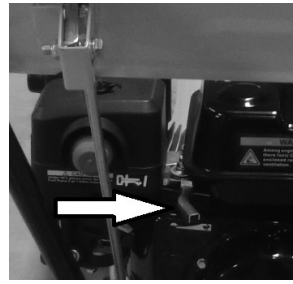


Fig. 12

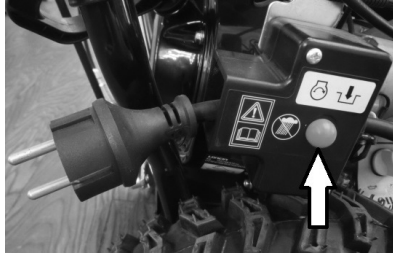


Fig. 13

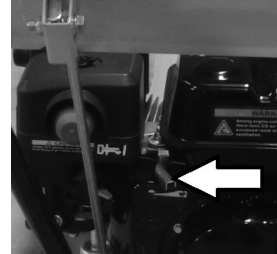
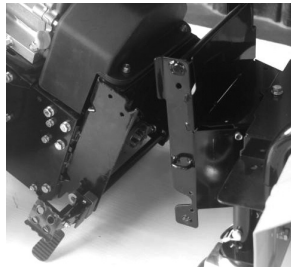


Fig. 14



PLEASE NOTE!



Do not release the starter handle abruptly or throw it! While holding the starter handle, slowly allow the rope to return to its initial position.

BEFORE GETTING STARTED WITH THE MULTIFUNCTION MACHINE

- Check the machine controls in a neutral area.
- Make sure you are in a safe area, away from traffic and other hazards.
- Check the fasteners and make sure they are secure.
- Replace any damaged or worn fasteners with new fasteners of the same rating.
- Check the tire pressure before getting started.
- Remove all objects from the work area that can be damaged by flying debris and dirt particles.
- Make sure there are no bystanders near the discharge chute of the snow blower.
- Wear a dust mask.

- Always wear appropriate protective clothing such as a long-sleeved button-down shirt, safety goggles or face shield, ear muffs, and a dust mask.
- Keep hands, feet, loose clothing, and long hair away from the area of the moving parts.
- Always shut off the engine when leaving the operator's post.

OPERATING THE BRUSH

To prevent injury due to possible scattering of foreign objects (stones, rods, wire, etc.), be sure to first clear the area from foreign objects.

OPERATING THE SNOW BLOWER



WARNING - DANGER!



Trip hazard!
Do not use near unfenced edges!

- This snow blower is not intended for removing snow from roofing and rooftops.
- When using the snow blower, follow all national and local regulations and professional guidelines.
- To minimize debris scatter, use the lowest rotational speed during operation.



PLEASE NOTE!



Avoid damage to the transmission.
Do not shift gears on the run.



PLEASE NOTE!



- **When using the snow blower, remove the protection plate from the device.**
- **Reduce speed when working on uneven surface to avoid machine "bouncing". In this case, you may lose control of the machine.**
- **During cleaning, do not move in the direction of people, buildings, vehicles or other objects that may be damaged by debris scatter.**
- **Do not operate controls when the engine is off.**
- **When operating the snow blower slowly in an open area, check that all controls and all safety devices are working properly. Check if the snow blower needs repair. If yes, please report this.**

BEFORE EACH USE

Perform maintenance as outlined in the maintenance schedule.

Start the engine at low idle, check the correct rotation of the brush and the drive mechanism.

DURING OPERATION

- Do not press the brush sections too hard to the ground to prevent excessive wear.
- Adjust the angle of the brush head.
- Watch the wind direction. Sweeping down the wind is more efficient and prevents debris from landing on the operator.
- The terms "roll" and "angle" are interchangeable.

Brush direction

The brush direction is adjusted with the lever (B), which allows tilting the brush in the desired direction. Move the brush direction lever forward or backward to one of the 3 available positions to set the desired brush angle.

- **Lever forward position** = 15° tilt to the right.
- **Lever center position** = right angle (0°).
- **Lever rear position** = 15° tilt to the left.

Cleaning with the brush and snow shovel

Before cleaning:

1. Move the brush direction lever (B) to the desired position (see "Brush direction").
2. Choose a speed depending on the route and job complexity.
3. Engage the brush drive (C).
4. Engage the traction drive (D).

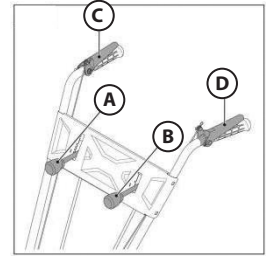


Fig. 15

OPERATION TIPS

Large areas

- Reduce speed when working on uneven or dirty surfaces to avoid damaging the brush.
- First clear the central area by conventionally dividing the area to be cleared into 2 parts with a strip, and then clear other areas. This reduces the brush stress.

Snow

- Snow is much easier to remove when fresh. Go through the already cleared areas to remove any remaining snow.
- When shoveling snow, it is recommended to move down the wind. Check the distance and direction of the removed snow.
- Reduce speed before turning off the engine.

Dirt and gravel

- To reduce the amount of dirt rising up during cleaning, set the brush to a low speed. If possible, also clean in wet or cloudy weather or after rain.
- For gravel, adjust the brush height to prevent damage to the brush.

Heavy rubbish

- Operate at minimum speed and do not use the full working width of the machine.

SAFE OPERATION OF EQUIPMENT

- Keep steps, handrails, pedals, and controls free from dirt, grease, debris, and oil.
- Keep bystanders away from the working area of the equipment.
- Carrying people or objects on the engine attachments is not allowed.
- The operator must be in the correct working position when operating the equipment.
- Never leave the equipment unattended with the engine running or with the bucket raised.
- Do not modify or remove any safety parts or devices of the engine or engine attachments.
- Observe the safety rules at your workplace, as well as traffic regulations. If in doubt about any safety issue, contact your manager or safety coordinator for clarification.



WARNING - DANGER!



In an emergency, release the levers as soon as possible and stop the engine.

Adjusting the height of casters and brushes

As the brushes wear out, their height should be adjusted against the surface to be cleaned. To adjust the height of the brushes, use the plastic rings on the casters.

To do so, proceed as follows:

1. Loosen the side lever (A).
2. Turn the top lever (B) clockwise to raise or counter-clockwise to lower the small wheels.
3. Secure the side lever (A).

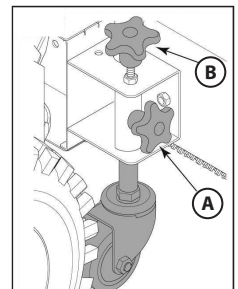


Fig. 16

STOPPING THE ENGINE

1. Move the throttle lever to the idle position and allow the engine to run 12-20 seconds before moving the lever to the "Stop" position. (fig. 20).
 2. Set the engine switch to the "OFF" position (fig. 21).
- Never leave the snow blower unattended with the engine running.



Fig. 17



PLEASE NOTE!



Do not turn off the engine by closing the air choke, as this could damage the engine.

ATTACHMENTS

8

CONNECTING THE ENGINE BLOCK AND ATTACHMENTS (sweeper / snow blower)

1. Place the sweeper / snow blower in an open area.
 2. Before connecting the sweeper, make sure that both casters (fig. 21) are in the highest position (casters must not touch the ground).
 3. Grasp the handle of the engine block and move it towards the attachment.
 4. Lower the engine block so that the rod (fig. 19, C) fits into two hooks (fig. 19, D) by locking both gears. You will hear a distinct click.
 5. Make sure that the two gears are in the correct position, and then press the upper pedal (fig. 19, B) towards the tie rod (fig. 19, E). You will hear a distinct click.
 6. After attaching the snow blower, the machine is ready for use.
 7. After attaching the sweeper, follow the steps below:
 - Remove the guide rod (fig. 18, C) from the hook (fig. 18, B).
 - Remove the pin (fig. 18, A) from the guide rod (fig. 18, C).
 - Press the guide rod (fig. 18 C) against the hole in the sweeper.
 - Insert the pin (fig. 18, A) into the guide rod (fig. 18, C).
- The sweeper is now ready for use.



Fig. 18

DISCONNECTING THE ENGINE BLOCK AND ATTACHMENTS (sweeper / snow blower)

1. When using the machine as a sweeper, proceed as follows (fig. 18):
 - Remove the pin (fig. 18, A) from the guide rod (fig. 18, C).
 - Pull the guide rod (fig. 18, C) off the machine.
 - Attach the guide rod (fig. 18, C) to the hook (fig. 18 B) to fix it.

When using the machine as a snow blower, skip this step.
2. Hold the machine handle firmly.
3. Press the lower pedal (fig. 19, A) next to the connection according to fig. 20.
4. The upper pedal (fig. 19, B and fig. 20 B) will disengage from the connection (fig. 19, E).
5. Raise the engine block to disengage the attachment.

Fig. 19

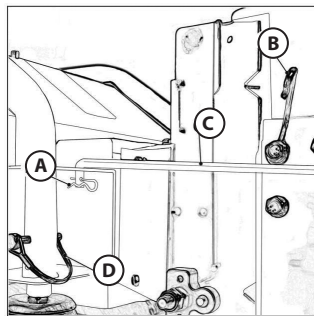


Fig. 21

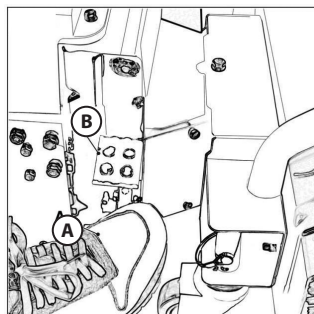


Fig. 20

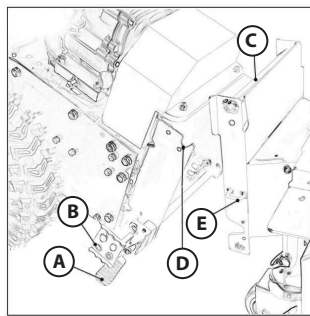


Fig. 22



MAINTENANCE AND REPAIR

9

RECOMMENDED MAINTENANCE SCHEDULE

Unit	Action	At each start	After each use	During commissioning	After first month (or every 20 operating hours)	Every 3 months (or every 50 operating hours)	Every 6 months (or every 100 operating hours)	Every year (or every 200 operating hours)
Inspection and tightening of fasteners	Check	✓						
	Level check	✓						
Engine oil	Replacement				✓	✓		
	Level check						✓	
Transmission oil	Replacement			✓				✓
	Level check						✓	
Air filter	Cleaning					✓		
	Replacement						✓	
Spark plug	Cleaning					✓		
	Replacement							✓
Fuel tank	Fuel level check	✓						
	Cleaning							✓
Machine cleaning – grease and rubbish removal	Cleaning		✓					

Contact your distributor or local representative to have belts replaced. Do not change them yourself. Repair and adjustment of the snow blower must be carried out in a safe place away from traffic and other hazards. Remove spark plug wire before adjusting or servicing.

RESIDUAL RISKS

All residual risks cannot be avoided even if the machine is used according to the instructions. Due to the design features of the power tool, the following hazards may arise:

1. Damage to the lungs if an effective dust mask is not worn.
2. Hearing damage if effective ear protection is not worn.
3. Damage to health from vibration if the power tool is used for extended periods or not properly maintained.



WARNING - DANGER!



PLEASE NOTE! Wear a dust mask to avoid getting large amounts of dust into your lungs! Wear ear muffs to avoid hearing damage. Do not use the multifunction machine for extended periods to avoid the harmful effects of vibration on the human body.

STORAGE

10

- Do not store the snow blower with a dirty brush. Bristles can deform under load, which will reduce cleaning efficiency.
- Store polypropylene brushes away from direct sunlight. UV radiation can damage the material and make it brittle, leading to premature wear of the bristles.
- Store polypropylene brushes away from heat and fire.

TROUBLESHOOTING

11

Engine will not start	Make sure the spark plug is not damaged
	Make sure the spark plug cap is installed correctly
Engine is not working properly	Make sure the air choke is open
	Make sure the fuel is fresh and free of impurities
Brush does not rotate	Check if the V-belt coupling is correctly adjusted
	Check the V-belt for damage
Machine is not working	Make sure the V-belt coupling is adjusted correctly
Low cleaning efficiency	Check the V-belt for damage
	Check if the brush height is correctly adjusted against the ground

The international manufacturer warranty is 1 year. The warranty period starts from the date of purchase. In cases when warranty period is longer than 1 year according to local legislation please contact your local dealer. The Seller which sells the product is responsible for granting the warranty. Please contact the Seller for warranty. Within the warranty period, if the product fails because of defects in the production process, it will be exchanged on the same product or repaired.

The warranty card should be kept throughout the warranty period. In case of warranty card loss, a second one will not be provided. The customer must provide the warranty card and buyer`s check during request for repair or exchange. Otherwise, the warranty service will not be provided. The warranty card, attached to the product during sale, should be correctly and fully completed by the retailer and customer, signed and stamped. In other cases, warranty is not considered as valid.

Provide clean product to the service center. Parts, that must be replaced, are the property of the service center.



EC Declaration of Conformity

Nr. 196

The following products have been tested by us with the listed standards and found in compliance with the European Community Machinery Directive 2006/42/EC, Electromagnetic compatibility Directive (EMC) 2014/30/EC, Noise Directive 2000/14/EC.

Manufacturer: DIMAX INTERNATIONAL GmbH
Address: Flinger Broich 203, 40235 Duesseldorf, Germany
Product: Gasoline multifunction machine "Können & Söhnen"
Type / Model: KS 7HP-MFM 60, KS 7HP-MFM 80, KS 7HP-MFM 80E

The statement is based on a single evaluation of above mentioned products. It does not imply an assessment of the whole production and does not permit the use of the test lab. logo. The manufacturer should ensure that all product in series production are in conformity with the product sample detailed in this report. The applicant should hold the whole technical report at disposal of the competent all the right.

Applied EC Directives: 2006/42/EC Machinery Directive
2000/14/EC Noise Directive (amended by 2005/88/EC)
2014/30/EC Electromagnetic compatibility Directive
(EU) 2016/1628 Non-Road mobile machinery emissions

Applied Standards: EN 55012:2007+A1
EN 61000-6-1:2007
EN ISO 3744:1995
AfPS GS 2014:01
EN ISO 12100:2010

Gasoline engine H200 corresponds to European Emission Standard Euro V.
This is confirmed by EU TYPE-APPROVAL CERTIFICATE issued by department of transport of Luxembourg.
Technical service responsible for carrying out the test -TÜV Rheinland Luxemburg GmbH
Date of issue 25/02/2019

2000/14/EC_2005/88/EC Annex VI

For model KS 7HP-MFM 60, KS 7HP-MFM 80, KS 7HP-MFM 80E noise guaranteed $L_{WA} = 104$ dB (A).



17

Issued Date: 2024-02-08
Place of issue: Duesseldorf
Director: Fomin P.

P. Fomin

DIMAX

International GmbH
Flinger Broich 203 40235 Düsseldorf
USt-ID DE296177274
koenner-soehnen.com

We DIMAX INTERNATIONAL GmbH hereby declare that specified above conforms covering European Parliament and Council Directives, 2006/42/EC of 17 May 2006 Machinery Directive, Electromagnetic compatibility Directive (EMC) 2014/30/EC of 26 February 2014, Noise Directive 2000/14/EC of 8 May 2000. The CE mark above can be used under the responsibility of manufacturer. After completion of an EC declaration of Conformity and compliance with all relevant EC directives.

CONTACTS

Deutschland:

Hergestellt unter Lizenz und Kontrolle der DIMAX International GmbH.

Importeur und Vertreter in Deutschland:
DIMAX International GmbH Flinger Broich 203, 40235
Düsseldorf, Deutschland. Produziert in VRC.

innovationtrade8@gmail.com

www.konner-sohnen.com/de

European Union:

Manufactured under license and control of DIMAX International GmbH, Flinger Broich 203, 40235 Duesseldorf, Germany.

Importer and representative in Netherlands DIMAX International Poland Ltd, Południowa 8 st, 05-830 Stara Wieś, Poland. Assembled in PRC.

innovationtrade8@gmail.com

www.konner-sohnen.com

France:

Fabriqu e sous licence et contr ole de DIMAX International GmbH, Flinger Broich 203, 40235 D usseldorf, Allemagne.

Importateur et repr esentant en France et en Belgique DIMAX International Poland Ltd, Południowa 8 st, 05-830 Stara Wieś, Pologne. Assembl e en RPC.

innovationtrade8@gmail.com

www.konner-sohnen.com/fr

España:

Fabricado bajo licencia y control de DIMAX International GmbH, Flinger Broich 203, 40235 D usseldorf, Alemania.

Importador y representante en Espa a de DIMAX International Poland Ltd, Południowa 8 st, 05-830 Stara Wieś, Polonia.

Ensamblado en la Rep blica Popular China.

innovationtrade8@gmail.com

www.konner-sohnen.com/es

Polska:

Wyprodukowano na licencji i pod kontrol a DIMAX International GmbH, Flinger Broich 203, 40235 Duesseldorf, Niemcy.

Importer i przedstawiciel w Polsce:

DIMAX International Poland Sp.z o. o. ul. Południowa 8, 05-830 Stara Wieś, Polska. Zmontowany w CRL.

innovationtrade8@gmail.com

www.konner-sohnen.com/pl

Україна:

Виготовлено за ліцензією та під контролем DIMAX International GmbH, Flinger Broich 203, 40235 Дюссельдорф, Німеччина.

Імпортер та представник в Україні:

ТОВ "Генератор Альянс" вул. Електротехнічна 47, 02225, м. Київ, Україна. Змонтовано в КНР

www.konner-sohnen.com/ua